

# 15-inch XGA Dual Video Interface Touch Panel Monitor UT3-B15 Series

Technology to Inspire Innovation



No. 0093e  
Issued:  
April, 2010

The UT3-B15 Series are touch panel monitors with a 15-inch XGA (1024 x 768 pixels) TFT color LCD module as the same as the UT3-15 Series. Renewed design has improved functionality and performance, and has realized a variety of forms.

The UT3-B15 Series are functionally compatible with the UT3-15 Series, and they are equipped with two video ports - an analog RGB and a digital visual interface (DVI-D). They supports two different touch panel interfaces, the RS-232C and the USB.

The UT3-B15 Series are optimal touch panel monitors for a wide variety of applications.



Bezel, Rear Case and Stand Type  
Stand Monitor Type



Bezel Type  
Bezel and Rear Case Type



Open Frame Type



Optical Touch Panel and Open Frame Type

## Features

- Use the industry's first<sup>(\*)1</sup> LED backlit LCD as for industrial use.
  1. Power consumption by half compared to our current product.
  2. Long life, and lifetime value; 50,000 hours (LED 100% of rated light, ambient temperature of 25 deg. C, the ability estimates)
  3. Fine brightness adjustment (adjustment range: 1 to 100%) can further extend operating life and saving the power consumption.
  4. Without use of mercury and environmentally friendly.
- The RAS functions<sup>(\*)2</sup> can improve equipment utilization.
  1. With touch panel fault information, alarm output is capable<sup>(\*)3</sup>.
- Easy set up with the original software.
  1. Can update the firmware from the host PC.
  2. Power save settings.
  3. Touch panel driver can control two screens including in combination with a different type touch panel.
  4. The touch panel driver supports Windows<sup>(R)</sup> 7 (32bit version), Windows Vista<sup>(R)</sup> (32bit version), and Windows<sup>(R)</sup> XP<sup>(\*)4</sup>.
- Support of Standards: RoHS, CE, VCCI-B, CCC (pending)

\*1 Our check as of March 2010.

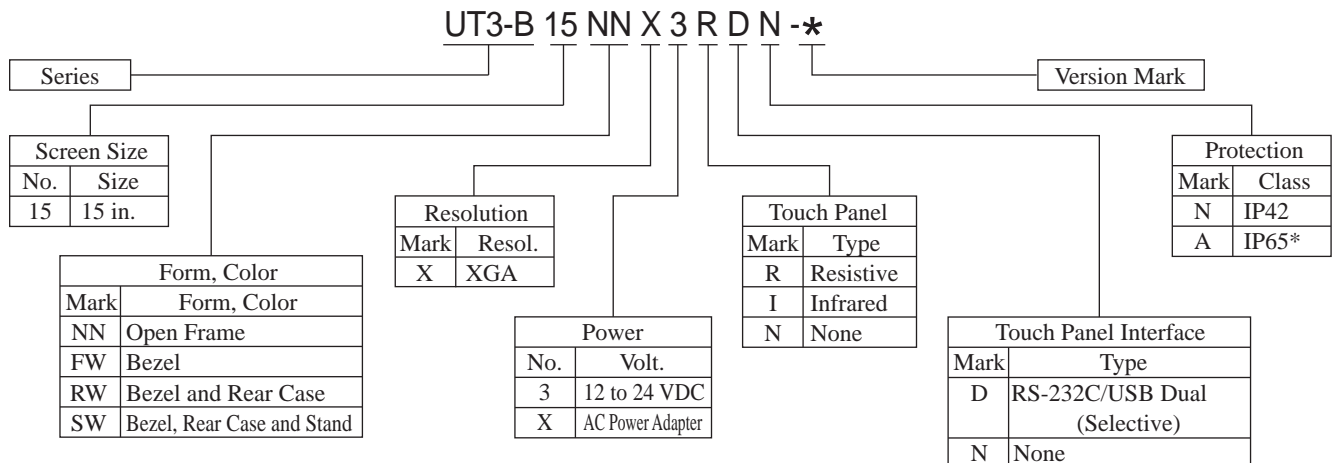
\*2 RAS is a concept for increasing reliability with considering (1)Reliability, (2)Availability, (3)Serviceability.

\*3 Only for optical touch panel used type.

\*4 Windows<sup>(R)</sup>, Windows Vista<sup>(R)</sup> are registered trademarks of Microsoft Corporation in the United States and other countries.

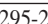
Made-to-order Product

## Product Number



\* IP65 is applicable for Optical Touch Panel Type only.

■ Common Specifications

Power	+12 to +24 VDC +/- 5% 16 W max.
Operating Temperature	0 to +50 deg. C
Storage Temperature	-20 to +60 deg. C
Operating Ambient Humidity	85% RH max. (No condensation)
Cooling	Air cooling
Display Size	38 cm diagonal (15-inch) TFT-LCD (Color)
Active Area	304.1 mm (H) X 228.1 mm (V)
Number of Pixels	1024 X 768 pixels
Pixel Pitch	0.297 mm X 0.297 mm
Number of Colors	16.77 million colors <sup>(*)1</sup>
Brightness	350 cd/m <sup>2</sup> (Value as LCD Module)
Viewing Angle	Right / Left: 80 deg., Up / Down: 80 deg., (Contrast ratio 10:1 min., Value as LCD Module)
Backlight	White LED
Video Signal Mode	Analog RGB / DVI-D
Video Signal	Analog 0.7 Vp-p (Input impedance 75 ohms) / DVI Standard compliant
Synchronizing Signal	TTL (Analog RGB)
Display Mode	1024 X 768, 800 X 600, 640 X 480, 720 X 400 (VGA Text)
Video Interface	Analog RGB (Mini D-sub 15-pin) / DVI (DVI-I 29-pin)
Touch Panel Interface	RS-232C (D-sub 9-pin) / USB2.0 (Full Speed 12 Mbps, B connector)
Power Supply Connector	1-178295-2 (Pin type) / LGP6531-0800F (DC Power Jack  / for 12 VDC)

■ Individual Specifications

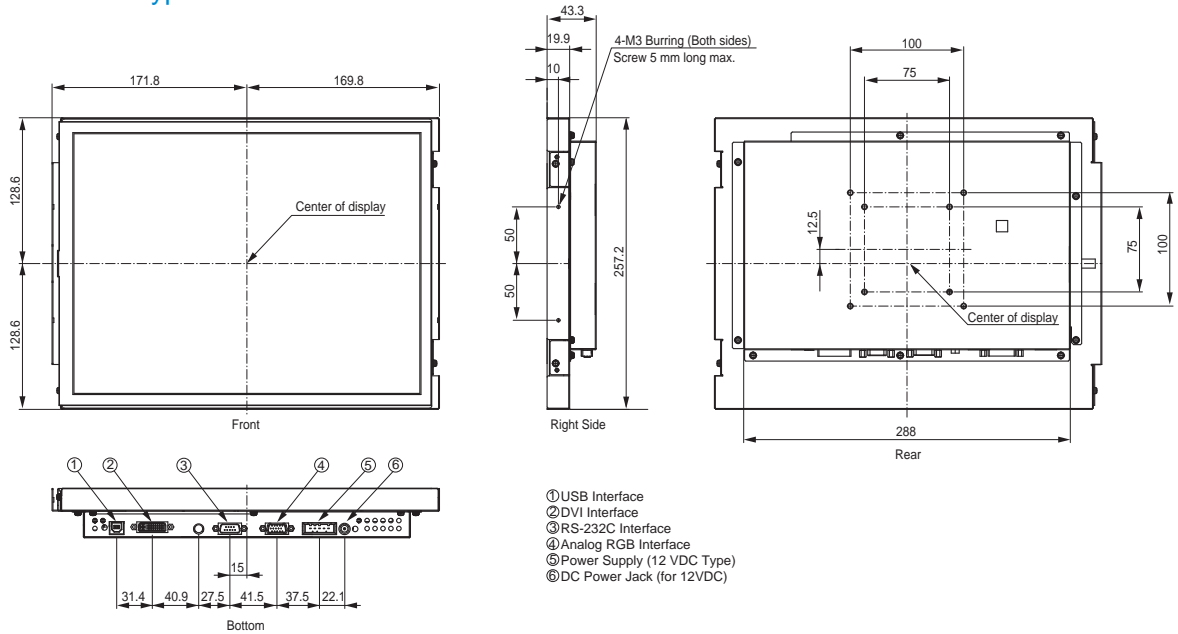
Type	Open Frame	Bezel	Bezel and Rear Case	Bezel, Rear Case and Stand	Stand Monitor (No Touch Panel)	Optical Touch Panel and Open Frame
Product Number	UT3-B15NNX3RDN-A	UT3-B15FWX3RDN-A	UT3-B15RWX3RDN-A	UT3-B15SWXXRDN-A	UT3-B15SWXXNNN-A	UT3-B15NNXXIDA-A
Outline Dimensions	341.6 X 257.2 X 43.3 mm	357 X 299.5 X 47.5 mm	357 X 299.5 X 50.5 mm	357 X 358 X 200 mm		356 X 273 X 53.2 mm
Weight	2.6kg max.	2.9kg max.	3.2kg max.	6.0kg max.		2.9kg max.
Protection Class	————	IP42 <sup>(*)2</sup>				IP65 <sup>(*)2</sup>
Audio Input	————	3.5 mm in dia. Stereo Mini Jack				
Speaker	————	1 W + 1 W (Stereo)				
Touch Panel Type		Resistive			————	Infrared
Touch Panel Resolution		1024 X 1024 / 1024 X 768			————	52 X 39 <sup>(*)3</sup>
Touch Panel Output		Switch address output (ASCII code)			————	Switch address output (ASCII code)
Touch Panel Operating Force		1.47 N (150 gf) min.			————	————

\*1 The actual display colors depend on the display capacity of the computer connected.

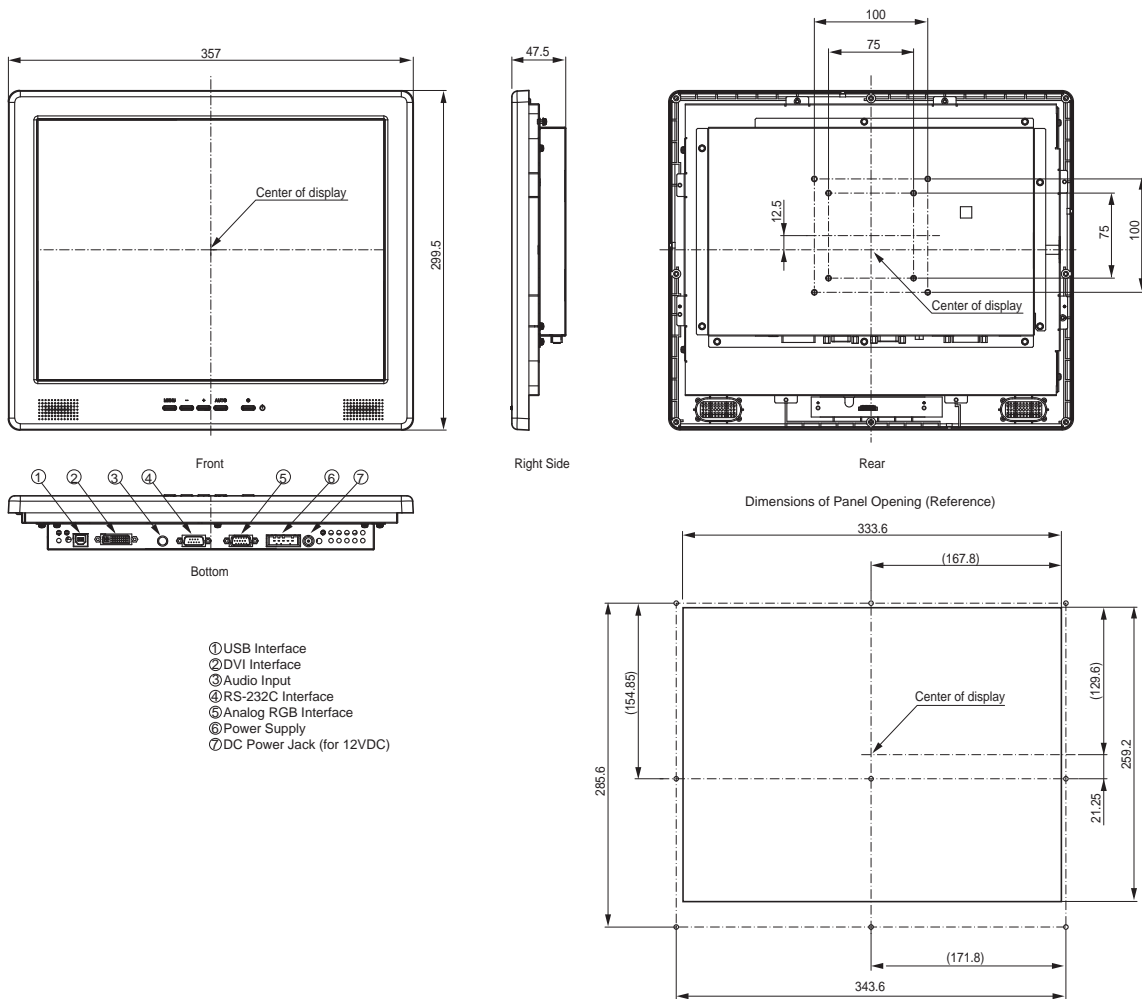
\*2 Between bezel and panel, in the front only.

\*3 Number of optical elements. Double, quad-precision.

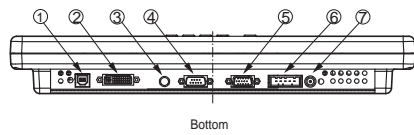
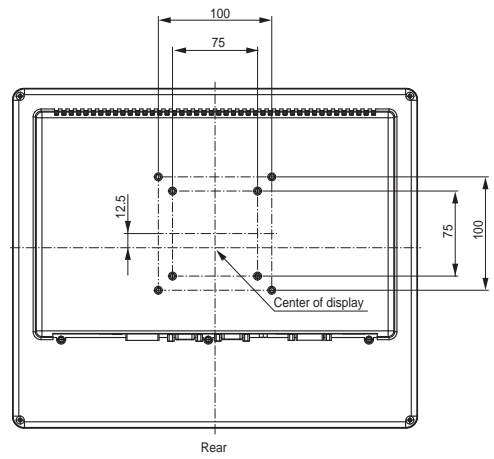
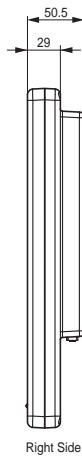
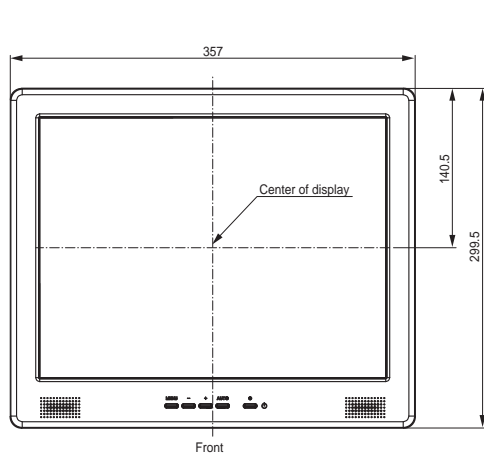
■ Outline Dimensions (Unit: mm)  
- Open Frame Type -



- Bezel Type -

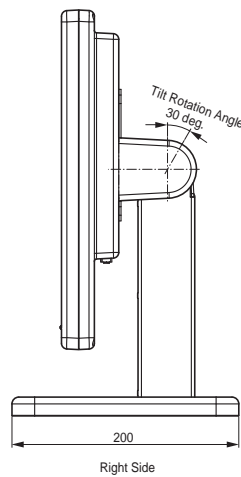
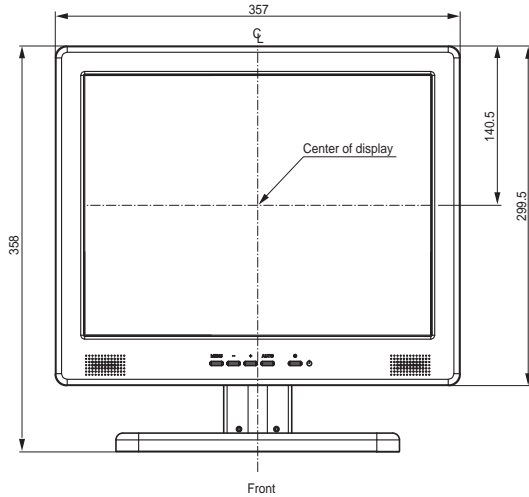
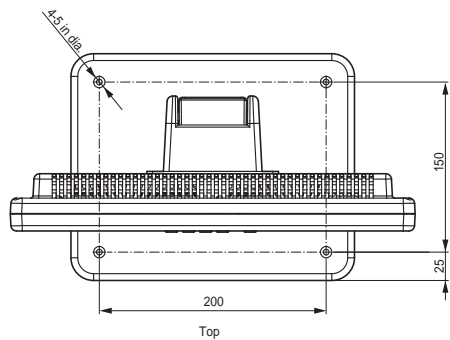


■ Outline Dimensions (Unit: mm)  
- Bezel and Rear Case Type -



- ① USB Interface
- ② DVI Interface
- ③ Audio Input
- ④ RS-232C Interface
- ⑤ Analog RGB Interface
- ⑥ Power Supply
- ⑦ DC Power Jack (for 12VDC)

- Bezel, Rear Case and Stand Type / Stand Monitor Type -



\*The interface is the same as the bezel type.

